

Society  
Reference  
Address  
Phone  
Fax  
E-mail

" пстон груп"  
Мансуров, Руслан  
Москва, ул. Боровая, 7 10  
(499) 116-16-92  
arma@epston.ru

505920622

BMH 30/280.50 T

PN 10

-10 °C

120 °C

°C 75 90 110 120

m 0,9 4 -- 18

: 0,00 m<sup>3</sup>/h

: 0,00 m

(%) :

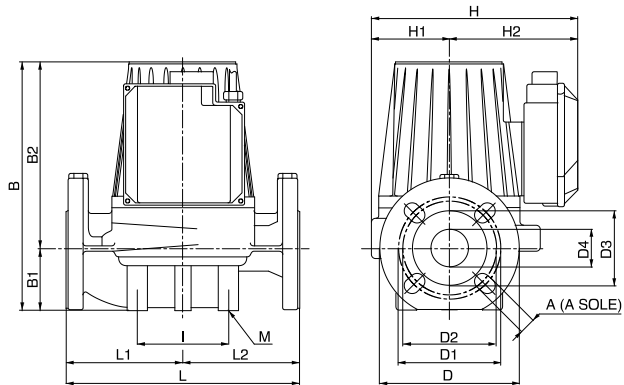
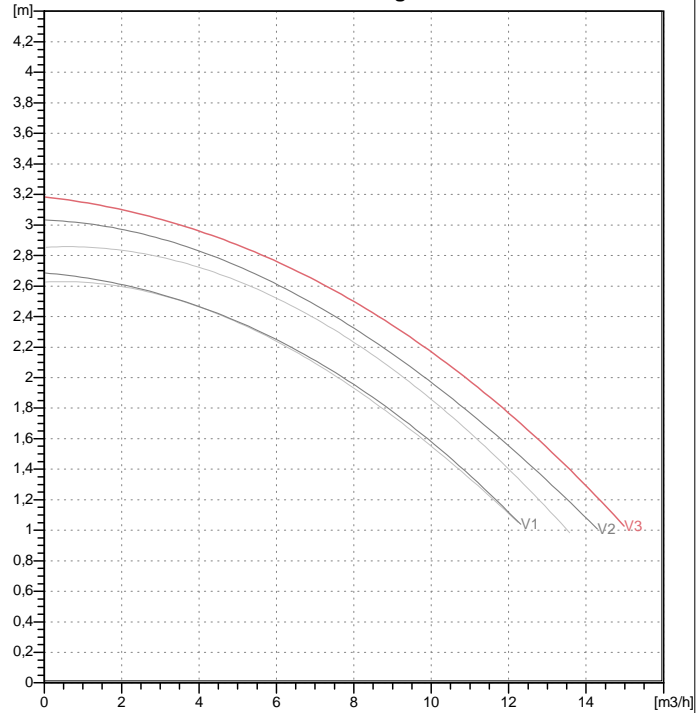
20 °C

: 0,99819 kg/dm<sup>3</sup>

1,0004 mm<sup>2</sup>/s

2,20 kPa

Curve tolerance according to ISO 9906



200 UNI ISO 185

B

AISI 420 C

P Cu Zn40 Pb2 UNI 5705

(EPDM)

AISI 321Bon. - AISI 304

mm

DAB

P10,2549 kW

1460 1/min

3~ 400 V

50 Hz

1,12 A

IP 44

A	18	D	165	D4	50	I	100
B	312	D1	125	H	254	I1	-
B1	73	D2	110	H1	96	I2	-
B2	239	D3	90	H2	158	I3	-

24 kg

:

DN 50 / PN 10

DN 50 / PN 10



WATER • TECHNOLOGY

12/06/16

2 / 3

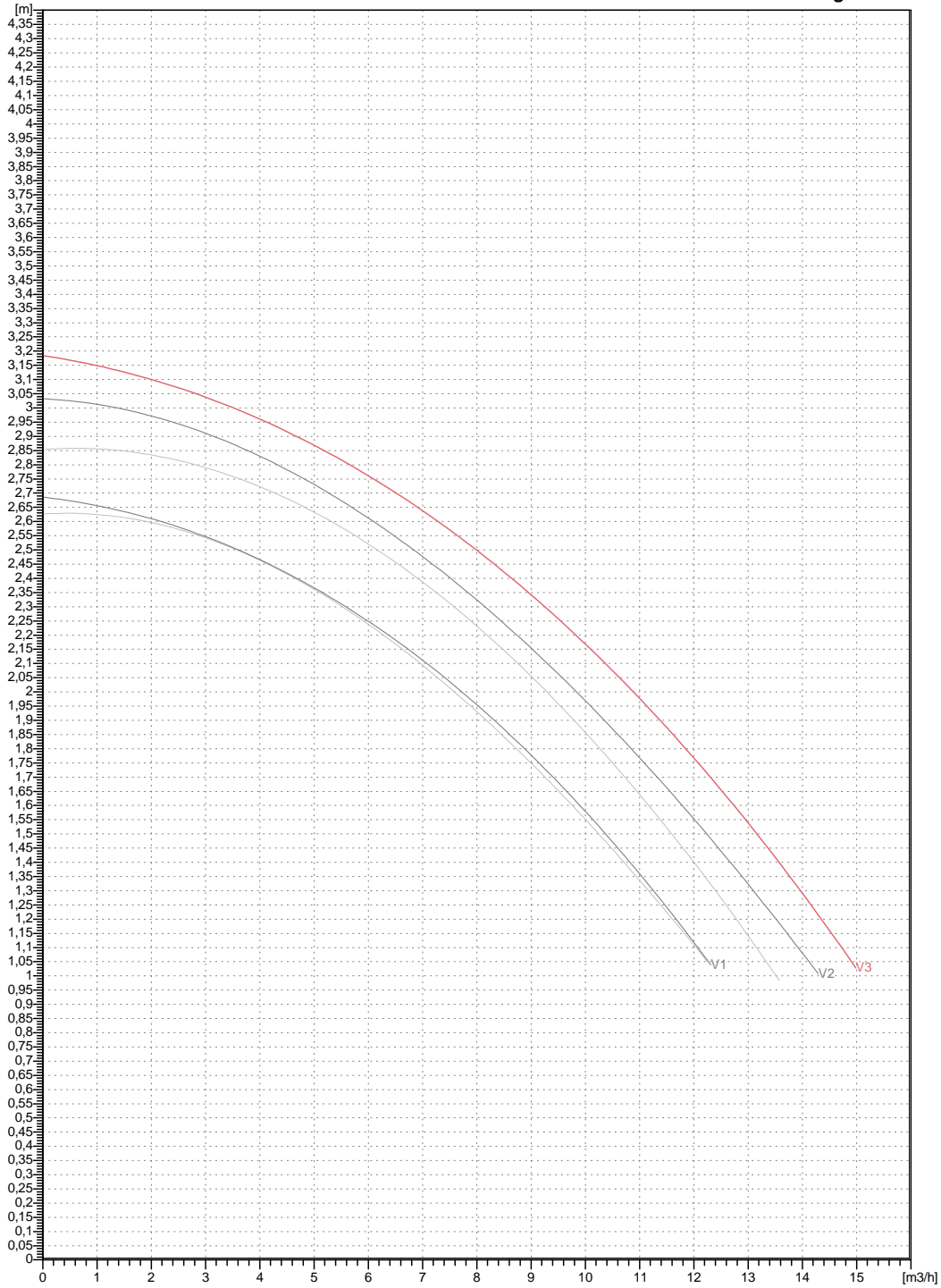
DAB PUMPS S.p.A.  
Via Marco Polo, 14 - 35035 Mestrino (PD), Italy  
Tel. +39 049 5125000 - Fax +39 049 5125950  
www.dabpumps.com

Society  
Reference  
Address  
Phone  
Fax  
E-mail

" пстон груп"  
Мансуров, Руслан  
Москва, ул. Боровая, 7 10  
(499) 116-16-92  
arma@epston.ru

### BMH 30/280.50 T

Curve tolerance according to ISO 9906



DN 50  
PN 10

DN 50  
PN 10

0 m<sup>3</sup>/h

0 m

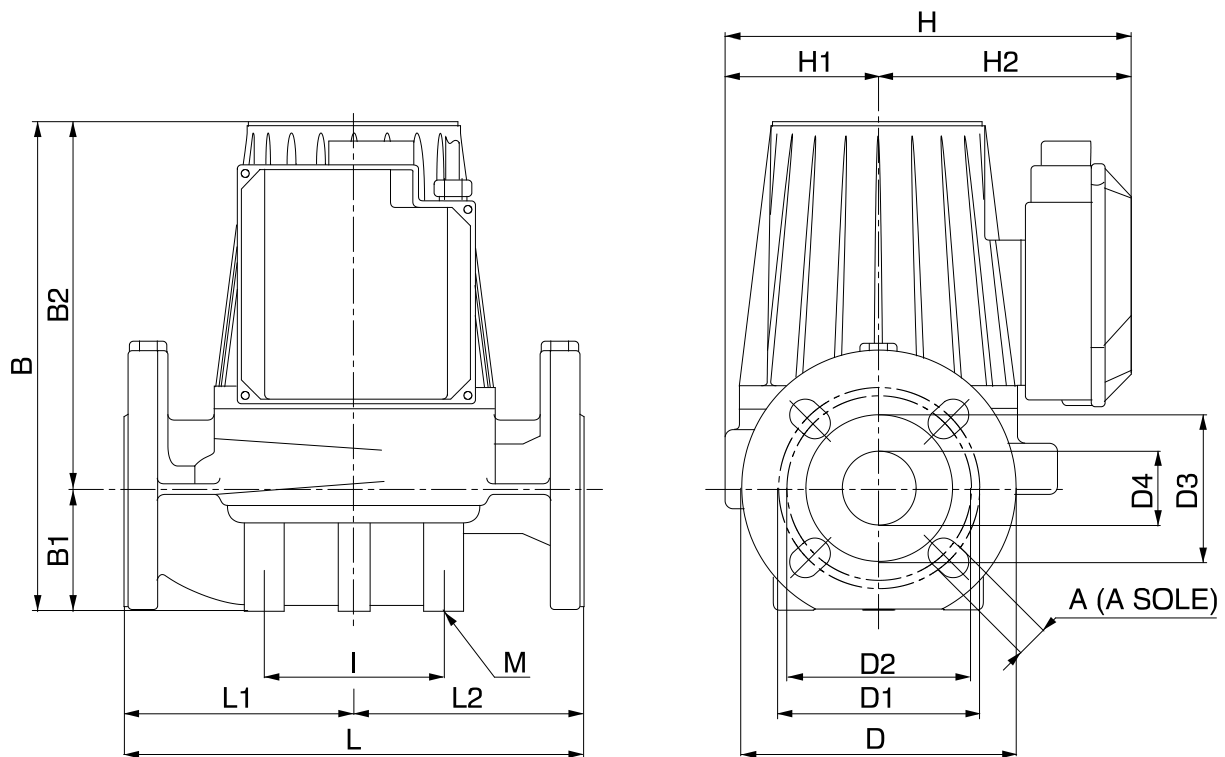
1460 1/min

11/06/16

Society  
Reference  
Address  
Phone  
Fax  
E-mail

" пстон груп"  
Мансуров, Руслан  
Москва, ул. Боровая, 7 10  
(499) 116-16-92  
arma@epston.ru

**BMH 30/280.50 T**



mm					
1	A	18	H1	96	
2	B	312	H2	158	
3	B1	73	I	100	DN 50
4	B2	239	I1	-	PN 10
5	D	165	I2	-	
6	D1	125	I3	-	
7	D2	110	L	280	DN 50
8	D3	90	L1	140	PN 10
9	D4	50	L2	140	
10	H	254	M	M10	